



medical **ECONET**
GERMANY

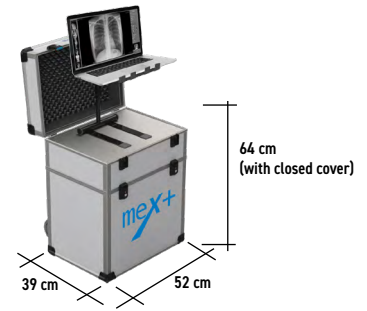
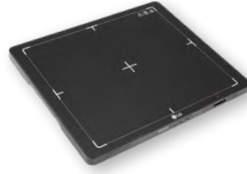


mex+ 1012LGW

Newest generation of wireless and portable DR flat panel

- **Lightweight** – Only 1,8kg (incl. battery)
- **Superb Image Quality** by low dose with CsI-Scintillator
- **Water-Resistant** – Protection against water impact (IP68)
- **AP (Access Point) Mode** – Direct wireless communication between detector and workstation
- **OLED Display** – Indication of panel, connection and battery status
- **Long-Term Operation** – Up to 7,5 hours with one battery
- **Durability** – 300kg load capacity

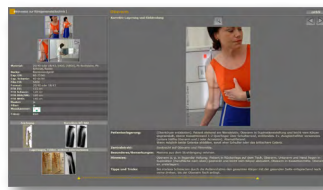
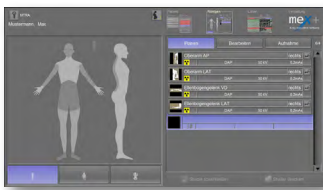
meX+1012LGW - Possibilities of transportation and usage



Highest Mobility due to light-weight carrying bag for save and pleasing transportation.

All-In-One-Solution for complete X-ray system incl. generator and height-adjustable laptop holder

meX+ Image Acquisition Software



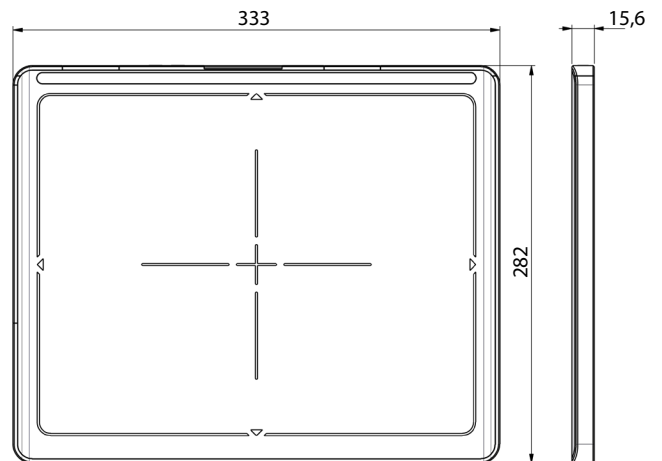
- Simple and perfect images at all time
- Integrated automatic image optimization
- Touchscreen function for easy operating
- Fully integrated radiographic positioning guide
- Bones and soft tissue in one images

- Including Patient CD and DICOM Send function
- Adaption of almost every language possible
- Modern graphical user interface
- Safe and fast registration of emergency patients
- Entry of recurring examination procedures as macros

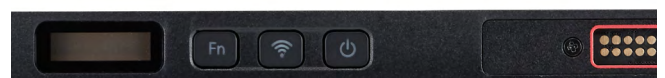
Specifications

Interface	Wireless
Scintillator	Cesium-Iodide (CsI)
Dimensions	333 x 282 x 15,6 mm
Weight	1,8 kg (incl. battery)
Active Pixel Area	293 mm x 228 mm
Pixel Pitch	140 µm
Pixel Number	2048 x 1792 pixels
A/D Conversion	16 bits
Running Time	up to 7,5 hours with one battery
Resolution	4,3 lp/mm
Image Acquisition Time	7 sec. (Preview 2 sec.)
Including	2 Batteries

Dimensions



OLED Display



Distributor