



medical **ECONET**
GERMANY



mex+20

Light weight portable X-ray with high power

- Light weight and compact size with durable cover
- Constant X-ray output without influence of line power fluctuation
- High frequency technology enables clean diagnostic images
- Equipped with remote control functions
- Flat touch panel, digital display, LED display reverse
- Strong body against external shock and contamination

Specifications

Model	meX+20
Output	
Tube Vol./Current	100 kV/ 20 mA
Voltage range	40 - 100 kV in 1 kV steps
mAs Range	0,3 - 50mAs, 22 steps
Max. output	1,6 kW at 80 kV
X-ray Tube	
Application	Canon D - 124
Focal Spot	1,2 mm
HU capacity	20 kHU
Cooling rate	250 HU /sec
Collimator	
Min. Light field: 5 cm x 5 cm @ 100 cm SID	
Max. Light field: 47 cm x 47 cm @ 100 cm SID	
Lamp	LED
Auto Timer	30 sec.
SID scale length	2 m
Power	
Input	220 / 240 V
Frequency/phase	50 / 60 Hz, single phase
Voltage comp.	± 10 %
Features	
7 - segment LED read out reversible, Hand switch remote control function	
PROM Memory	4 APR
Weight	10,8 kg
Dimensions	220 x 200 x 352 mm

Optional Accessories

PXMS - 1800 Mobile Stand



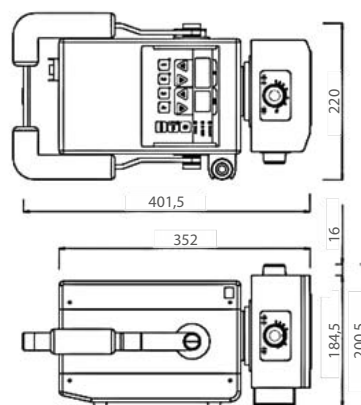
Standard Accessory

Aluminium Carrying Case



Dimensions

meX+20



Im Erlengrund 16, 46149 Oberhausen - Germany

medical **ECONET**

t: +49 (0) 208 377 890-0 info@medical-econet.com
 f: +49 (0) 208 377 890-55 www.medical-econet.com
 facebook.com/medicaleconetgermany

distributor

CE0123

*All specifications are subject to change without notice.