



ECOray 400

High power X-ray system based on smart technology



medical **ECONET**
GERMANY

- Powerful stationary X-ray system (32kW) with integrated monoblock
- 4-way-floating table top (max. animal weight 200kg)
- Colored 7" LCD operating touch screen
- Removable grid support
- High frequency technology enables clean diagnostic images
- Variable focal distance and X-ray source rotation ($\pm 90^\circ$) (optional)

ECOray 400 - Stationary X-ray

Specifications

Output

Tube Vol./Current	125 kV/ 400 mA
Voltage range	40- 125 kV in steps of 1 kV
mAs Range	0,5 mAs- 125 mAs
Max. output	32 kW at 100 kV

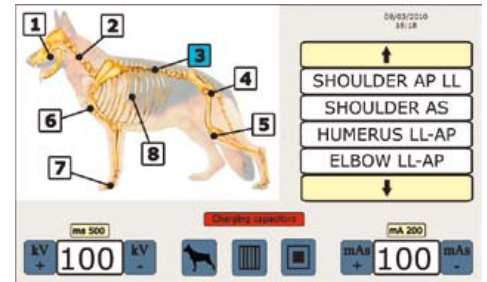
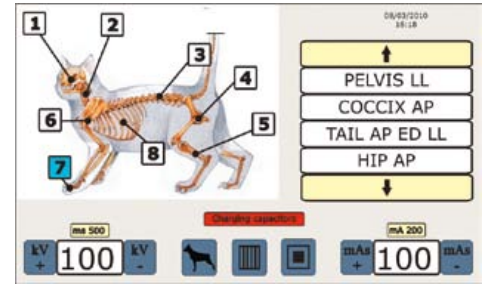
X-ray Tube

Application	Kailong 0,6/ 1,3
Anode	Rotating
Focal Spot	0,6 mm small focus; 1,3 mm large focus
Nominal Power of Anode	11 kW small focus, 32 kW large focus

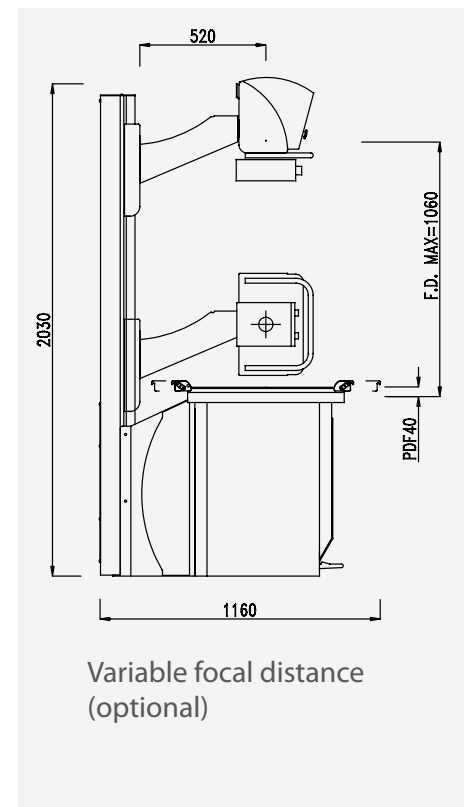
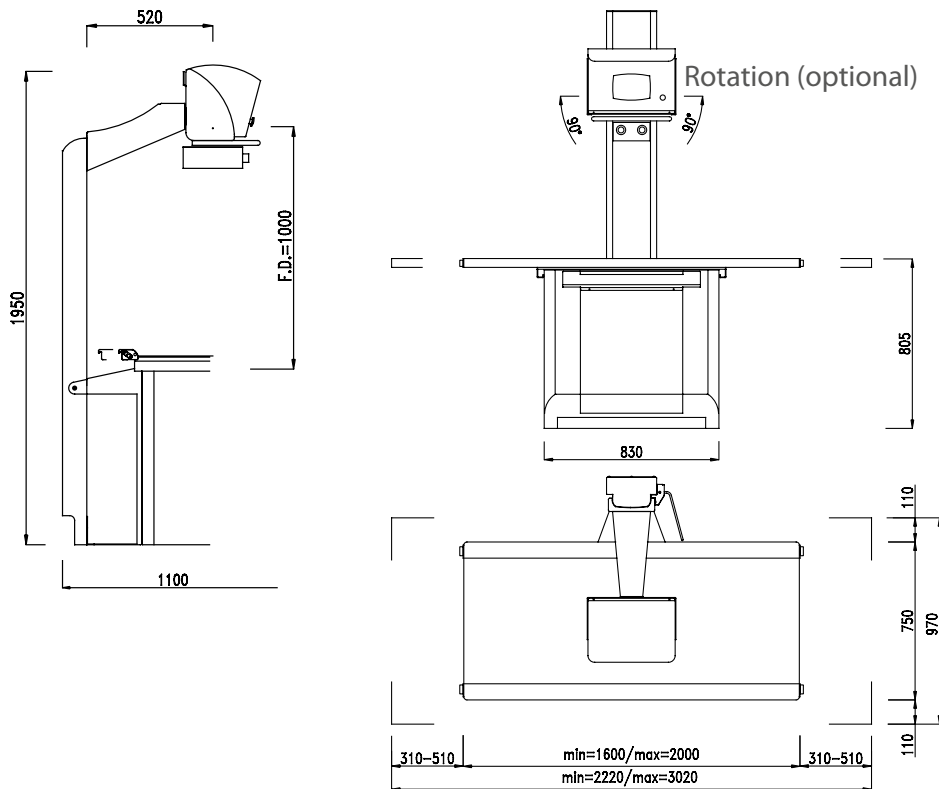
Features

Display	7" LCD touch screen
Table Top	4-way-floating / 160 cm (base)
Cassette holder	self centering (18x24 cm to 43 x 43 cm)
APR techniques	1800 combination possibilities
	3 patient sizes selectable
	Focal spot selection

8 anatomical areas / more than 1000 exams each area



Dimensions & Movement



medical **ECONET**
GERMANY

Welcome to healthcare

Im Erlengrund 20, 46149 Oberhausen - Germany

t: +49 (0)208 / 377 890 - 0 info@medical-econet.com
f: +49 (0)208 / 377 890 - 55 www.medical-econet.com
facebook.com/medicaleconetgermany
twitter.com/medicaleconet

Dealer

*Changes and errors without notice.