



medical **ECONET**
GERMANY

meX+100

Most Powerful Compact Portable X-ray



High Frequency Portable X-Ray Generator

The meX+100 is the most powerful, compact-sized portable radiography generator model of the medical ECONET X-ray series. It is equipped with ripple-free, high-frequency generator that produce up to 40~50% stronger power output efficiency when compared to conventional X-ray systems. The X-ray with meX+100 unit automatic mains voltage adjustment ensures a continuous X-ray output of power unaffected by fluctuations. Based on the integrated capacitor, it can operate continuously despite short power failures and location changes.

The user-friendly handling of the meX+100 supports the daily work flow in clinics and makes the usage easier and more effective. The X-ray generator helps to work efficiently indoors or outdoors. The robust housing, which protects against shock and contamination is suitable for outdoor radiography activities. Besides the exposure times can be reduced to limit the risk of blurred images due to movements to a minimum.

Features and Benefits

- Shortest exposure times due to 5kW, 110kV/100mA
- High-performance capacitor for stable and reliable power supply
- Dual laser pointer for distance definition
- Clear durable light technology due to LED collimator
- Flat operation touch panel with LCD display
- Clean diagnostic images due to high frequency technology
- Constant X-ray output without influence of line fluctuation
- Equipped with anatomic program with up to 330 pre-set technique slots (PROM memory)
- Automatic line voltage compensation
- Light exposure field size (max) 35 cm x 35 cm at 65 cm SID
- Strong body against external shock and contamination
- Various mounting solutions at mobile stand and wall mount (option)
- User-friendly handle bar for outdoor usage
- Aluminum carrying case, hand switch, and power cable included as standard accessory

meX+100

Most Powerful Compact Portable X-ray

The Main Function of meX+100

X-rays belong to the core diagnostic tools in modern medicine. High-frequency technology offers high quality X-ray images using only a standard power connection. Its compact size and user-friendly operation enable various fields of application in medical practices, hospitals and emergency medicine.

User-centered and portable design

- Strong body against impact, crush or strain possibly caused from outdoor radiography activities
- LCD display: mAs, kV
LED indicator: ready & exp. wait
- Flat touch key panel controls
- Up to 25 shots available with a built-in capacitor without power
- Available with a mobile stand (PXMS-2010) which has gas spring technology
- Available with wall mount for use in small space
- Handle bar mounted for easy carrying
- Aluminum case for easy transportation without damage to the device

High quality diagnostic images

- Offers its users the complete range of X-ray diagnostic imaging options
- High-frequency inverter type generator: 65 kHz (max)
- X-ray output: 100 mA, 110 kV, 5.0 kW
- mAs Range: 0.1 ~ 100 mAs
- Auto-line voltage compensation: Makes X-ray output constant without influence of line power fluctuation
- LED collimator lamp
- Dual laser pointer
- Dose meter to check patient dose in X-ray diagnosis (option)
- Up to 330 pre-set technique data storage (PROM memory)
- Generator control function for acquisition software



meX+100 equipped with Generator Control Function

In combination with meX+DR and meX+CR, the meX+100 gets automatic supply of parameters

- Time saving by avoiding the input of kV and mAs-values
- Integrated exposure table for different body parts
- Fast adjustment of values with just a few clicks
- Limitation of exposure parameters by weight (kg)
- Different setting values can be activated for raster use
- Collimator light control by mouse click
- Values are stored in all recordings for traceability
- Preset default values can be changed and saved
- Bidirectional input for full flexibility

Specifications

Physical Dimensions

Size: 254(W) x 225(H) x 423(L) mm
 Weight: Approx. 19.6 kg

Output

Tube vol.: 110 kV
 Tube current: 100 mA
 Voltage range: 40 kV to 110 kV, 1 step
 mAs range: 0.1 mAs to 100 mAs, 40 steps
 Max. output: 5.0 kW at 75 kV

X-ray tube

Application: OX 110 - 3 (C.E.I)
 Focal spot: 1.5 mm
 HU capacity: 76 kHU
 Cooling rate: 57 kW

Collimator

Min. light field: 5 cm x 5 cm at 1 m SID
 Max. light field: 35 cm x 35 cm at 65 cm SID
 Lamp: LED
 Auto timer: 30 sec
 SID scale length: 2 m
 Laser pointer: Dual laser

Power

Input: 100 - 240 VAC (Free-Voltage)
 Frequency / phase: 50 / 60 Hz, single phase
 Voltage compensation: $\pm 10\%$

Indicators

Control panel: 7 - segment LED readout
 Hand switch remote control function
 Programmable pre - set technique
 Data storage & store button
 Digital LCD display: mAs, kV
 LED indicator: ready & exp. wait

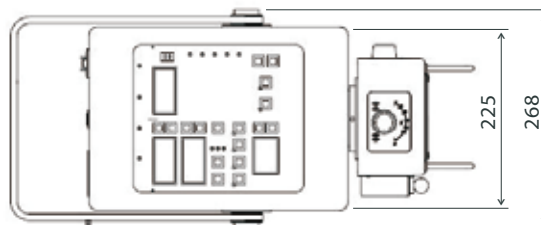
Data Storage

PROM memory: 330 APR for HUMAN
 750 APR for VETERINARY

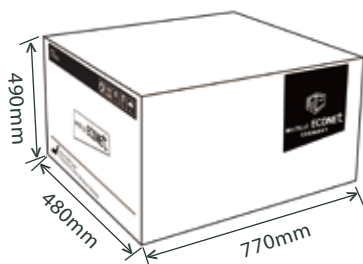
Accessory

- **Standard**
 - Carrying Case
 - Hand switch
 - Power cable
- **Optional**
 - Mobile stand PXMS-2010
 - Wall mount
 - Foot switch
 - Collimator rotation
 - Mobile X-ray table
 - DAP meter

Top

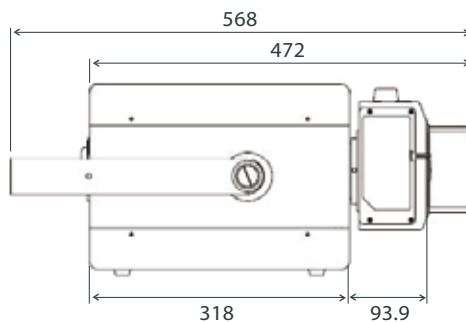


Packaging

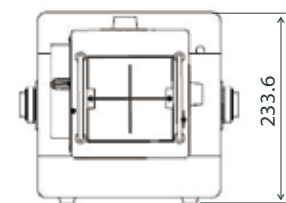


Approx. 33kg

Left Side



Front



Accessory Information



Aluminium Carrying Case

676(W) x 398.5(H) x 379(L) mm
Standard accessory



Wall Mount

Max. length 535 mm
Optional accessory



Hand Switch

Standard accessory



Foot Switch

Optional accessory



Collimator Rotation

Up to 45°
Optional accessory



DAP Meter

Battery-powered
Optional accessory



PXMS-2010

Max. height 210 cm
Optional accessory



Mobile X-ray Table

Optional accessory



„stationary X-ray“
Duration 2:31

