



medical **ECONET**
GERMANY



All devices battery powered

All devices with LED collimator

All devices with dual laser



mex+20BT
mex+40BT
mex+20BT lite

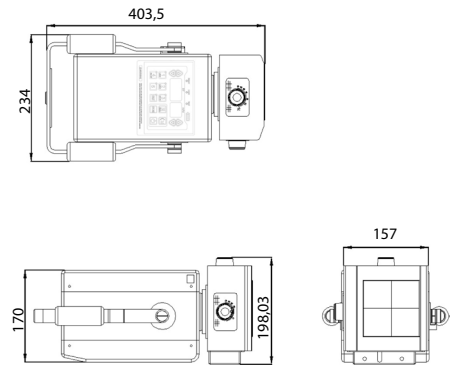
- **HYBRID** - Devices can be operated by internal battery or by external power supply
- Great advantage for outdoor radiography
- Innovative approach by high performance lithium polymer battery
- Up to 650 exposures by just one charging
- Strong body against external shock and contamination
- Exclusive remote controller using by hand switch
- Fully charge only within 4 hours

Specifications

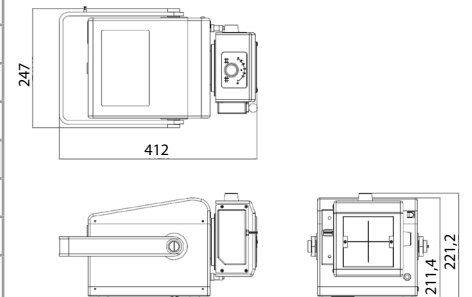
Model	meX+20BT lite	meX+20BT	meX+40BT
Output			
Tube Vol./Current	90kV / 20 mA	100kV / 20 mA	100kV / 35 mA
Voltage range	50 - 90 kV in 1 kV steps	40 - 100 kV in 1 kV steps	40 - 100 kV in 1 kV steps
mAs Range	0,4mAs - 20mAs 25 steps	0,4 mAs - 50 mAs 32 steps	0,4 mAs - 100 mAs 35 steps
Max. output	1,6 kW at 80 kV	1,6kW at 80 kV	2,4 kW at 80 kV
X-ray Tube			
Application	OX / 70 CEI	Canon D - 124	Canon D - 124
Focal Spot	1,2 mm	1,2 mm	1,2 mm
HU capacity	10 kHU	20 kHU	20 kHU
Collimator			
Max. Light field	35 x 35 cm @ 65 cm SID		
Lamp	LED	LED	LED
Laser Pointer	built-in dual laser	built-in dual laser	built-in dual laser
Power			
Input	110 / 220 VAC (Free-Voltage)	110 / 220 VAC (Free-Voltage)	110 / 220 VAC (Free-Voltage)
Frequency/phase	50 / 60 Hz, single phase	50 / 60 Hz, single phase	50 / 60 Hz, single phase
Voltage comp.	± 10 %	± 10 %	± 10 %
Features			
7 - segment LED read out reversible, Hand switch remote control function			
PROM Memory	15 APR	15 APR	21 APR
Weight	7,2 kg	11,2 kg	14,2 kg
Dimensions	203 x 174 x 307 mm	225 x 170 x 340 mm	250 x 214 x 349 mm
Battery			
Type	Li-polymer	Li-polymer	Li-polymer
Capacity (mAh)	4800	4800	4800
Exposures full charge	max. 286 at 100 kV / 5 mAs	max. 173 at 60 kV / 3,2 mAs	max. 493 at 80 kV / 2 mAs
Charging time	4 hours	4 hours	4 hours

Dimensions

meX+ 20BT



meX+ 40BT



Standard Accessory

Charger, Battery & Hand switch



Aluminium Carrying Case

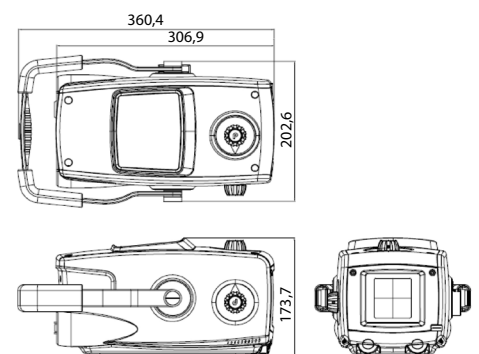


Optional Accessories

PXMS - 1800 Mobile Stand



meX+ 20BT lite



medical **ECONET**

Im Erlengrund 16, 46149 Oberhausen - Germany

t: +49 (0) 208 377 890-0 info@medical-econet.com
 f: +49 (0) 208 377 890-55 www.medical-econet.com
 facebook.com/medicaleconetgermany

distributor

*All specifications are subject to change without notice.