



medical **ECONET**  
GERMANY

# ECOsound

Easy-to-use pocket size fetal doppler



## User-friendly hand-held fetal doppler

ECOsound fetal doppler of medical ECONET securely accompany women through all stages of their pregnancy.

ECOsound is a pocket-size Ultrasound Doppler irradiates ultrasound wave to the abdomen of a pregnant woman to detect the Doppler frequency signal and analyze, and displays the heart rate on the LCD screen. The device also provides the heart sound from the heart of the fetus through a built-in speaker. By measuring the fetal heart rate(FHR), you are able to predict fetal well-being.

It is designed for the professional uses with 2 MHz of Sensitivity which provides better penetration and early detection of heart signal. Also, active Noise reduction technology and separate Ultrasound probe allow optimize sound quality.

### Features and Benefits

- Clear LCD with backlight battery status
- Ultra sensitive 2 MHz transducer
- Suitable for clinical and home use
- User-friendly design
- Audio output for headphones
- Easy to handle
- Compact size and light weight
- Increase sensitivity after 10~12th weeks
- LCD display: battery status and heart rate
- Heart Rate Range: 50-240 bpm
- Easy to detect fetal heartbeat
- 1.2 W integrated loudspeaker with stepless volume control
- Battery Life up to 360 minutes for continuous measurement
- Ultra-sensitive 2 MHz transducer with approx. 1,5 m cable
- Active noise reduction to optimize signal quality
- Automatic shutdown after 5 minutes
- Waterproof probe (IPX7)
- Equipped with sound card as a PC interface
- Supplied with bag, ultrasound gel and 2 AA batteries

# ECOsound

Easy-to-use pocket size fetal doppler

## Application of ECOsound

Usually, during pregnancy women regularly counts their baby's movements to make sure it's alright and spend a lot of time and energy worrying about its well-being. ECOsound is the simplest and easiest way to check the health of the fetus. The device can be used by medical personnel in clinics or pregnant women's homes, as well as by users who have not trained.



## Main functions of ECOsound

- Compact-sized and lightweight devices enable the user to take fetal doppler where you need it.
- 2MHz ultrasound sensitivity helps the user to confirm the well-being of fetal.
- The device can operate up to 360 minutes on two AA batteries.
- It has IPX7 waterproof probes which withstands up to 1 meter of water for over 30 minutes.
- A large LCD screen displays users to see battery consumption and FHR.



# ECOsound Easy-to-use pocket size fetal doppler

## Specifications

### Dimension

|            |                              |
|------------|------------------------------|
| Main unit: | 75 (W) x 26 (D) x 128 (H) mm |
| Probe:     | 25 (W) x 25 (D) x 131 (H) mm |
| Weight:    | 190 g                        |

### Fetal Heart Rate

|                       |                         |
|-----------------------|-------------------------|
| Ultrasound frequency: | 2 MHz                   |
| Range:                | 50 bpm to 240 bpm       |
| Accuracy:             | ± 2%                    |
| Resolution:           | 1 bpm                   |
| Intensity:            | < 10 mW/cm <sup>2</sup> |
| Sensitivity:          | 10 ~ 12 weeks onward    |

### Audio Output

|                |        |
|----------------|--------|
| Output:        | 1.2 W  |
| Earphone jack: | 3.5 mm |

### Auto shut off

|            |       |
|------------|-------|
| Sound off: | 1 min |
| Power off: | 5 min |

### Power

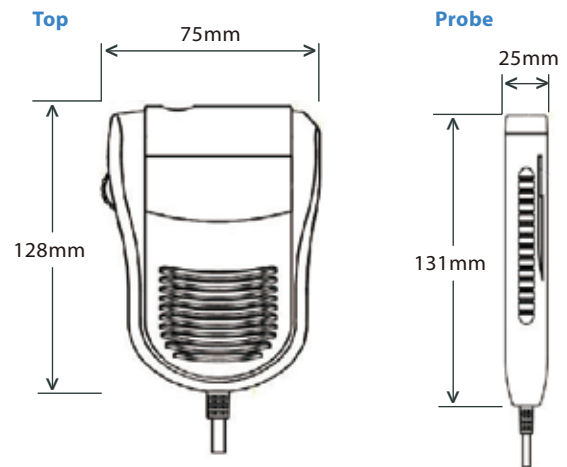
|                 |                      |
|-----------------|----------------------|
| Battery:        | 1.5 V x 2ea, AA type |
| Operating time: | 360 min              |

### Environmental Conditions

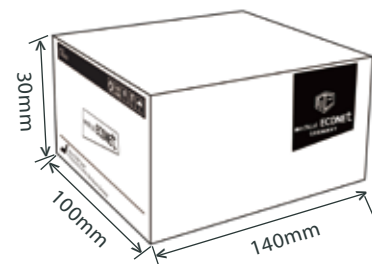
|                        |                                  |
|------------------------|----------------------------------|
| Operating temperature: | 10 °C to 40 °C (50 °F to 104°F)  |
| Operating humidity:    | 30% to 85%, non-condensing       |
| Storage temperature:   | -10 °C to 60 °C (14 °F to 131°F) |
| Storage humidity:      | 20% to 95%, non-condensing       |

### Accessory

|          |                |      |
|----------|----------------|------|
| Standard | Carrying pouch | 1 ea |
|          | Ultrasound gel | 1 ea |
|          | AA Battery     | 2 ea |



### Packaging



Approx. 200 g



Distributor