

meX+20
meX+40
meX+60



Powerful & Lightweight X-Ray Generator

meX+20, meX+40, and meX+60 are the meX+ portable family generators. These are powerful, compact-sized, and lightweight portable radiography models. All meX+ family X-ray units are the ripple free HF type of generator in producing 40~50% more powerful radiation output than conventional X-ray units.

These are the perfect X-ray portable units for an indoor and outdoor medical diagnostic practitioner in the radiographic application where requires ease of operation and mobility. The robust housing, which protects against shock and contamination is suitable for outdoor radiography activities. Besides the exposure times can be reduced to limit the risk of blurred images due to movements to a minimum.

These are designed for use by portable imaging providers, military applications, disaster relief, forensics, athletic events, or anywhere an X-ray machine must be brought to a patient.



medical **ECONEt**
GERMANY

Features and Benefits

- Units for universal radiography application
- Lightweight and compact-size
- Constant X-ray output without influence of line fluctuation
- High output 100 kV, 20mA / 35mA / 60mA
- Flat operation touch panel with LCD display
- Clear durable light technology due to LED collimator
- Equipped with anatomic program with up to 8 pre-set technique slots (PROM memory)
- Dual laser pointer for distance definition
- Clean diagnostic images due to high frequency technology
- Automatic line voltage compensation
- Light field size (max) 35 cm x 35 cm at 65 cm SID
- Strong body against external shock and contamination
- Various mounting solutions at mobile stand and wall mount (optional)
- User-friendly handle bar for outdoor usage
- Aluminum carrying case, hand switch, and power cable included as standard accessory

meX+20

meX+40

meX+60

The Main Function of meX+ Generators

X-rays belong to the core diagnostic tools in modern medicine. High-frequency technology offers high quality X-ray images using only a standard power connection. Its compact size and user-friendly operation enable various fields of application in medical practices, hospitals and emergency medicine.

User-centered and portable design

- Strong body against impact, crush or strain
- Digital LCD display with touch key panel controls
- Available with a mobile stand (PXMS-1800), wall mount, and mobile X-ray table
- Handle bar mounted for easy carrying
- Aluminum case for easy transportation without damage to the device



High quality diagnostic images

- Auto-line voltage compensation: Makes X-ray output constant without influence of line power fluctuation
- LED collimator lamp
- Centimeter measure for film focus distance measurement
- Dose meter to check patient dose in X-ray diagnosis (option)
- APR pre-set data storage (PROM memory)
- Generator control function for acquisition software



Application Fields of meX+ Generators



- Medical specialists (e.g. orthopedist, surgeons, pulmonologists)
- Emergency medicine (e.g. ambulance)



- Stationary and mobile hospitals
- Field hospital in conflict areas (e.g. aid agencies)
- Military



- Veterinary in clinics and practices (e.g. small animals and horses)

Specifications

mex+20

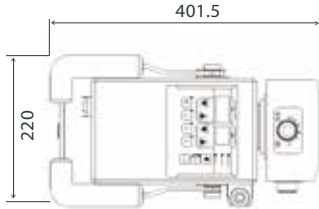
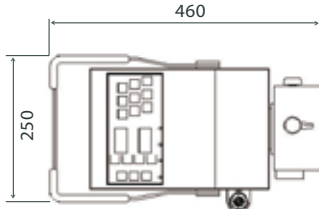
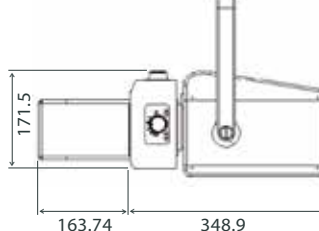
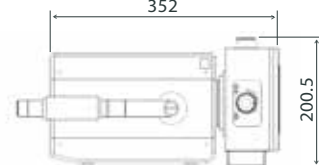
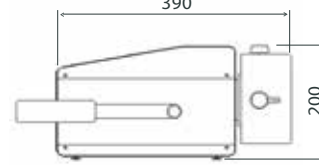
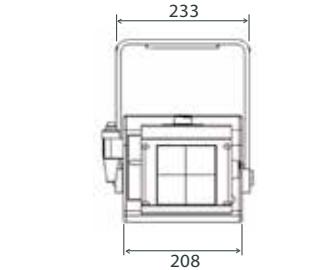
mex+40

mex+60

Physical Dimensions

| | | | |
|------------------------|---|--------------------------------|--------------------------------|
| Size: | 220 (W) x 200 (H) x 352 (L) mm | 250 (W) x 195 (H) x 355 (L) mm | 250 (W) x 195 (H) x 355 (L) mm |
| Weight: | Approx. 9.8 kg | Approx. 12.8 kg | Approx. 14.6 kg |
| Output | | | |
| Tube vol.: | 100 kV | 100 kV | 100 kV |
| Tube current: | 20 mA | 35 mA | 60 mA |
| Voltage range: | 40 kV to 100 kV, 1 step | 40 kV to 100 kV, 1 step | 40 kV to 100 kV, 1 step |
| mAs range: | 0.3 mAs to 50 mAs, 22 steps | 0.4 mAs to 100 mAs, 25 steps | 0.4 mAs to 100 mAs, 25 steps |
| Max. output: | 1.6 kW at 80 kV | 2.4 kW at 80 kV | 3.2 kW at 80 kV |
| X-ray tube | | | |
| Application: | Canon D - 124 | Canon D - 124 | Canon D - 205B |
| Focal spot: | 1.2 mm | 1.2 mm | 2.0 mm |
| HU capacity: | 20 kHU | 20 kHU | 40 kHU |
| Cooling rate: | 250 HU/sec | 250 HU/sec | 378 HU/sec |
| Collimator | | | |
| Min. light field: | 5 cm x 5 cm at 1 m SID | 5 cm x 5 cm at 1 m SID | 5 cm x 5 cm at 1 m SID |
| Max. light field: | 35 cm x 35 cm at 65 cm SID | 35 cm x 35 cm at 65 cm SID | 35 cm x 35 cm at 65 cm SID |
| Lamp: | LED | LED | LED |
| Auto timer: | 30 sec | 30 sec | 30 sec |
| SID scale length: | 2 m | 2 m | 2 m |
| Laser pointer: | Dual laser | Dual laser | Dual laser |
| Power | | | |
| Input: | 110 / 220 VAC | 110 / 220 VAC | 220 - 240 VAC |
| Frequency / phase: | 50 / 60 Hz, single phase | 50 / 60 Hz, single phase | 50 / 60 Hz, single phase |
| Voltage compensation: | ± 10 % | ± 10 % | ± 10 % |
| Indicators | | | |
| Control panel: | 7 - segment LED read - out reversible, Hand switch remote control function, Programmable pre - set technique, Data storage & store button | | |
| Digital LC tD display: | mAs, kV | mAs, kV | mAs, kV |
| LED indicator: | ready & exp. wait | ready & exp. wait | ready & exp. wait |

Data Storage

| | | | |
|--|-------|-------|-------|
| PROM memory: | 4 APR | 8 APR | 8 APR |
| <div style="display: flex; justify-content: space-around;"> <div style="text-align: center;"> <p>Top</p>  </div> <div style="text-align: center;"> <p>Top</p>  </div> <div style="text-align: center;"> <p>Right side</p>  </div> </div> | | | |
| <div style="display: flex; justify-content: space-around;"> <div style="text-align: center;"> <p>Left side</p>  </div> <div style="text-align: center;"> <p>Left side</p>  </div> <div style="text-align: center;"> <p>Front</p>  </div> </div> | | | |

Accessory Information



Aluminium Carrying Case
Standard accessory



Wall Mount
Max. length 535 mm
Optional accessory



Hand Switch
Standard accessory



Foot Switch
Optional accessory



Collimator Rotation
Up to 45°
Optional accessory



DAP Meter
Battery-powered
Optional accessory

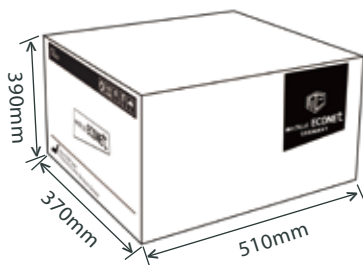


PXMS-1800
Optional accessory



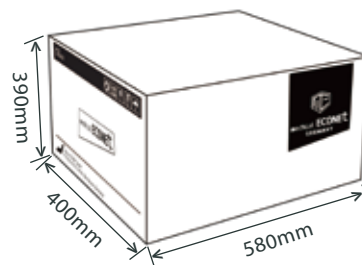
Mobile X-ray Table
Optional accessory

meX+20 Packaging



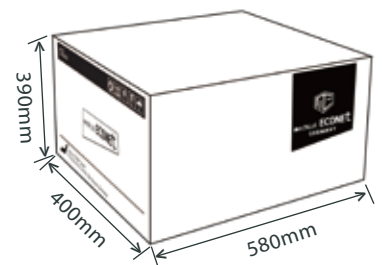
Approx. 18kg

meX+40 Packaging



Approx. 21kg

meX+60 Packaging



Approx. 24kg