



medical **ECONET**
GERMANY



ECORay 400

High power X-ray system based on smart technology

- Powerful stationary X-ray system (32kW) with integrated monoblock
- 4-way-floating table top (max. animal weight 200kg)
- Colored 8,4" LCD operating touch screen
- Removable grid support
- High frequency technology enables clean diagnostic images
- Variable focal distance and X-ray source rotation ($\pm 90^\circ$) (optional)

ECOray 400 - Stationary X-ray

Specifications

Output

Tube Vol. / Current	125 kV / 400 mA
Voltage range	40 - 125 kV in steps of 1 kV
mAs Range	0,1 mAs - 100 mAs (optional 250 mAs)
Max. output	32 kW at 100 kV

X-ray Tube

Application	Kailong KL 65
Anode	Rotating
Focal Spot	0,6 mm small focus; 1,3 mm large focus
Nominal Power of Anode	16 kW small focus, 32 kW large focus

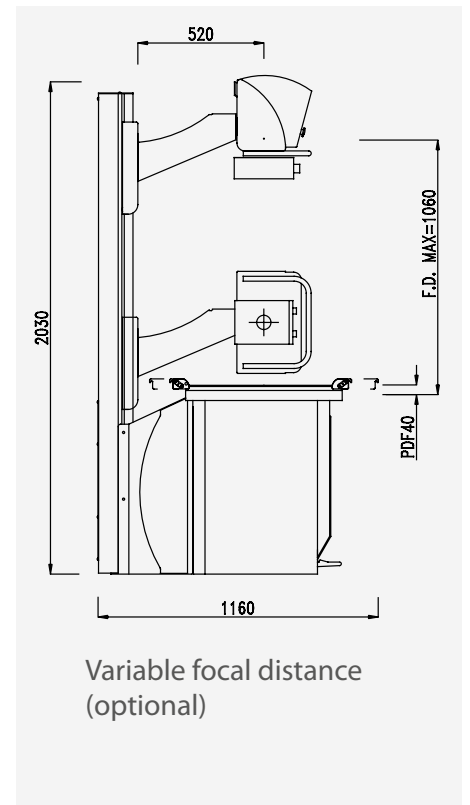
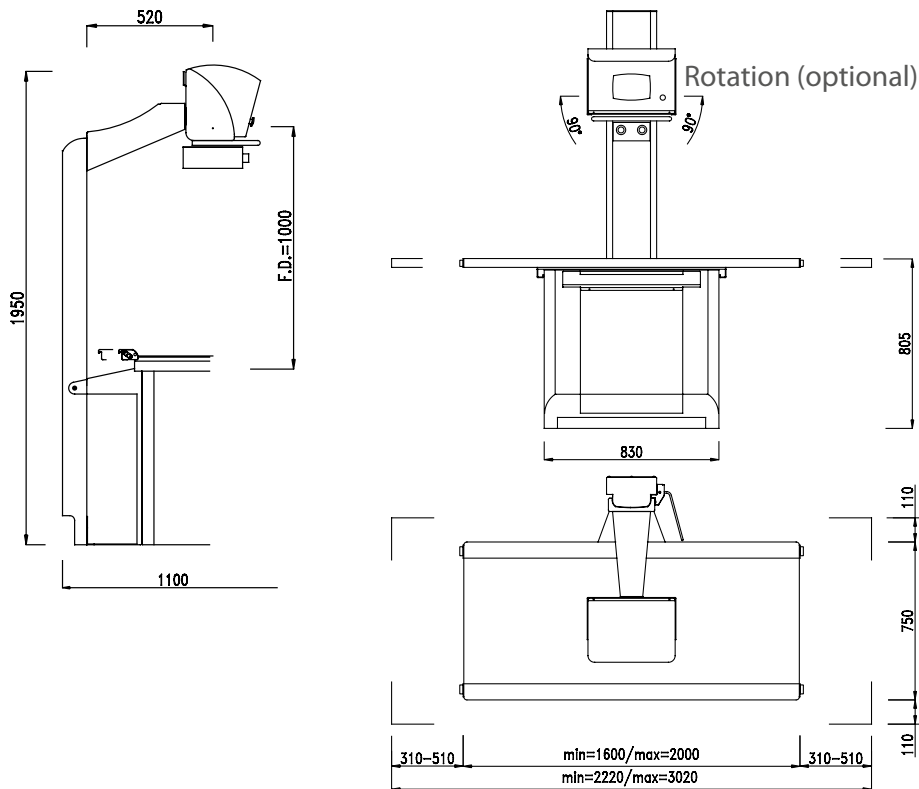
Features

Display	8,4" LCD touch screen
Table Top	4-way-floating / 160 cm (base)
Cassette holder	self centering (18x24 cm to 43x43 cm)
APR techniques	1800 combination possibilities
	3 patient sizes selectable
	Focal spot selection

8 anatomical areas / more than 1000 exams each area



Dimensions & Movement



Im Erlengrund 20, 46149 Oberhausen - Germany

t: +49 (0) 208 377 890-0 info@medical-econet.com
 f: +49 (0) 208 377 890-55 www.medical-econet.com
 facebook.com/medicaleconetgermany
 twitter.com/medicaleconet

Dealer